

**PAMS Technical Documentation  
NSB-8 Series Transceivers**

**Service Software Instructions  
& Service Concepts**

**Table of Contents**

	Page No
Service Software Instructions .....	3
Phoenix .....	3
Supported Operating Systems .....	3
Hardware requirements for using Phoenix .....	3
Introduction .....	4
Setting up Phoenix .....	4
Installing Phoenix .....	4
Uninstalling Phoenix .....	5
Data Packages .....	5
Starting a session .....	5
Service Concepts and Setup Instructions .....	7
Flash Concept .....	7
Flash Concept - POS (Point-of-Sale) .....	8
JBV-1 Flash Concept .....	9
Jig Concept .....	10
CLP-6 Service Concept .....	11
Parallel Flash Concept .....	12

**List of Figures**

Fig 1 Flash Concept .....	7
Fig 2 JBV-1 Flash Concept .....	9
Fig 3 Jig Concept .....	10
Fig 4 CLP-6 Service Concept .....	11
Fig 5 Parallel Flash Concept .....	12

## Service Software Instructions

### Phoenix

Phoenix is the next generation Service Software and it has been designed to meet the challenges in servicing modern cellular phones.

The Phoenix program has been built using component architecture. This means that the actual program is small and most of the program's functionality is divided into dynamically loaded modules or DLLs.

### Supported Operating Systems

The Phoenix program can be used in any of the following operating systems:

**Windows 95, 98, 2000, ME and NT 4.0 (SP4).**

Table 1: Supported Operating Systems

Supported Operating Systems
Windows 95
Windows 98
Windows NT 4.0
Windows 2000

### Hardware requirements for using Phoenix

The minimum hardware requirements for using Phoenix are:

Table 2: HW requirements for AMS

Minimum HW requirements for AMS	
Processor	233 MHz
RAM	64 MB
Needed disk space	50 - 100 MB

For Windows 2000, the following requirements are recommended:

Table 3: HW requirements for Windows 2000

Recommended HW for Windows 2000	
Processor	700 MHz
RAM	512 MB
Needed disk space	50 - 100 MB

## Introduction

This section briefly describes how to install the Phoenix software and includes some basic information on how to use the program. For more detailed information, please refer to the Phoenix's **Help -files**. Each feature in Phoenix has its own Help function, which can be activated while running the program.

Press the *F1* key or the feature's Help-button to activate a Help -file.

## Setting up Phoenix

- 1 Download the latest release. Please contact your regional After Market Services point for information on where to download the latest release.

Download and read the release notes, which will have useful information on the software version you are using.

- 2 Install Phoenix by executing the phoenix installation package and follow the instructions on the screen.

*Note: In some products the setup may require you to reboot the computer. In either case, the setup will register Phoenix components. This process can take several minutes.*

- 3 Download the latest data packages for the products you will be using.

By default, the program files are stored under *C:\Program Files\Nokia\Phoenix*

The Phoenix program has been built using component architecture. This means that the actual program is very small and most of the program's functionality is divided into dynamically loaded modules (DLLs).

The data packages will create product specific directories under the installation directory.

## Installing Phoenix

- 1 Before you start installing the program, check that
  - the dongle is attached to the parallel port. Contact your supervisor in order to obtain a suitable dongle.
  - you have administrator rights (Windows NT or Windows 2000). This is required in order to be able to install Phoenix.
- 2 The installation checks that the latest supported dongle driver version is installed. The dongle driver is installed if there is no previous installation of the dongle driver or if the installed dongle driver is older than the latest supported version.
- 3 Reboot your PC before using Phoenix, if you are requested to do so.

## Uninstalling Phoenix

### *Uninstalling another Phoenix version*

- 1 Make sure that the dongle is attached.
- 2 Go to the Control Panel and select **Add/Remove Programs**.
- 3 Select **TSS4 Phoenix Release xx.yy.zzz** for uninstallation and click **Add/Remove**.
- 4 Click **OK** to remove the application

You may be required to reboot your PC after uninstallation.

*Note: If you have different product packages installed, the components are uninstalled only if they are not included in other product packages.*

## Data Packages

Data Packages (DP) is a name for a helpful feature in the Phoenix software. This type of feature provides a flexible way of distributing and installing Phoenix and its data files.

All product-specific data is separated from the program code and installed separately. This means that the installation is performed in at least two steps.

Each product will have its own DP. The FPS-8 flashing equipment also has its own package.

## Starting a session

### Concepts

In the Phoenix context, *Product* means the cellular phone attached to a PC. More specifically, it is a particular type of phone.

*Connection* means the type of cable used to attach the phone to the port to which the other end of the cable is attached.

### Selecting a connection

The connection defines the cable and the communications port that will be used when connecting to the phone.

- 1 Active connections are listed in the toolbar's *Connection* pull-down menu. You should make sure that the connection is correct before using the software. Change it, if necessary.

In case the connection is the wrong one, you need to create a new one.

- 2 Select *Settings* from the pull-down menu.
- 3 Select *Add* in the *Connection List Dialog* and in fill the relevant fields in the *Con-*

*nection setup* dialog.

### Selecting a product

Many of Phoenix's features are product-specific. It is, therefore, mandatory to choose the product you will be working on at the beginning of the session.

- 1 Select *File - Scan Product* (or hold the Ctrl key down and press R). Phoenix will scan the connected product and load additional menus which are designed for the product. If the product is not supported then an error message will be displayed and a different Phoenix data package may be required.
- 2 If you want to manually choose the product or if the phone is dead, select *File - Choose Product*. You will be presented with a list of available products.

After the product selection, you will see an additional menu item on the main menu. If you take a look at the available menu items, you will see that their number has increased.

### Phoenix environment

You can configure the program's main toolbar and the product or tool -specific options to your liking.

You can control which toolbars are visible by selecting **View** and **Toolbars** from the pull-down menu. The visible toolbars are marked with a check.

The rest of the options are product or tool -specific. The tool-specific options are set using the associated toolbar.

### Using components

When working with Phoenix, each task generally has its own component that will perform the task. The first thing, therefore, is to open the desired component.

Opening a component means that you open a tool window within Phoenix.

# Service Concepts and Setup Instructions

## Flash Concept

Figure 1: Flash Concept

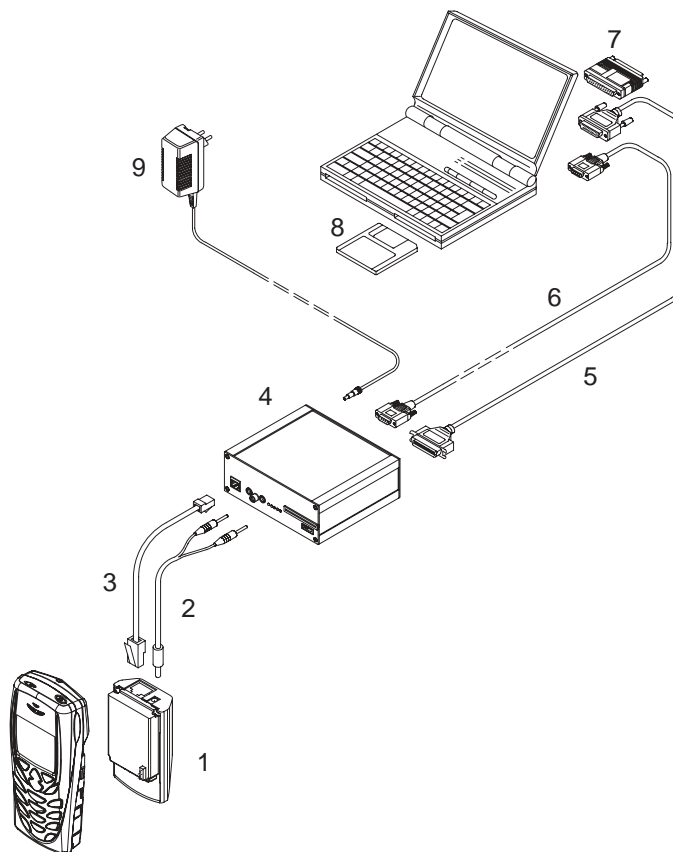


Table 4: Flash Concept

Item	Name	Type	Code
1	Point of Sales flash loading adapter	FLA-18	0770318
2	Power cable	FLC-2	0730185
3	Modular Cable	XCS-4	0730178
4	Flash prommer box	FPS-8	0080321
5	Printer cable, incl. in FPS-8 sales package		073F000
6	D9 - D9 cable, incl. in FPS-8 sales package	AXS-4	0730090
7	Software protection key	PKD-1	0750018
8	Phoenix Service Software		8406941
	NSB-8 Flash SW data		
9	AC charger, incl. in FPS-8 sales package		0680032

## Flash Concept - POS (Point-of-Sale)

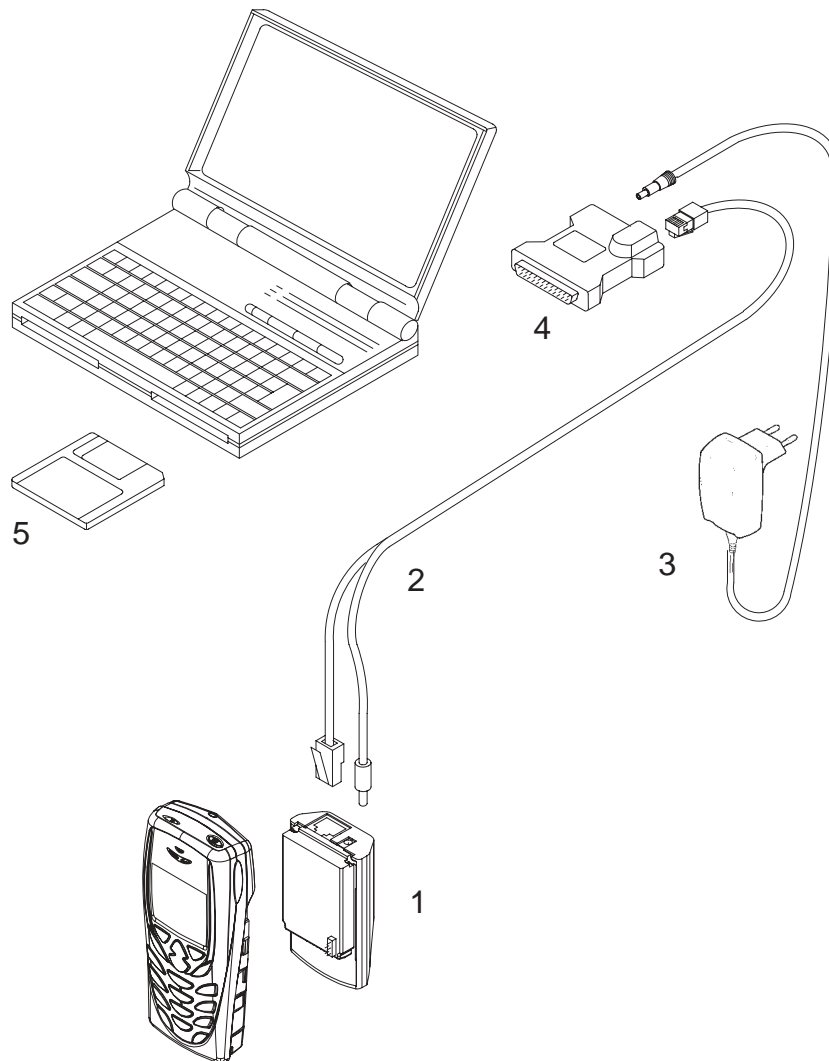


Table 5: POS Flash Concept

ITEM	NAME	TYPE	CODE
1	Point-of-Sales flash loading adapter	FLA-18	0770318
2	Service Cable	XCS-1	0730218
3	AC Charger (see General Information)	ACP-8	
4	POS flash dongle for Americas area	FLS-4	0081482
5	Phoenix Service SW		8406941
	NSB-8 Flash SW data		



### JBV-1 Flash Concept

Figure 2: JBV-1 Flash Concept

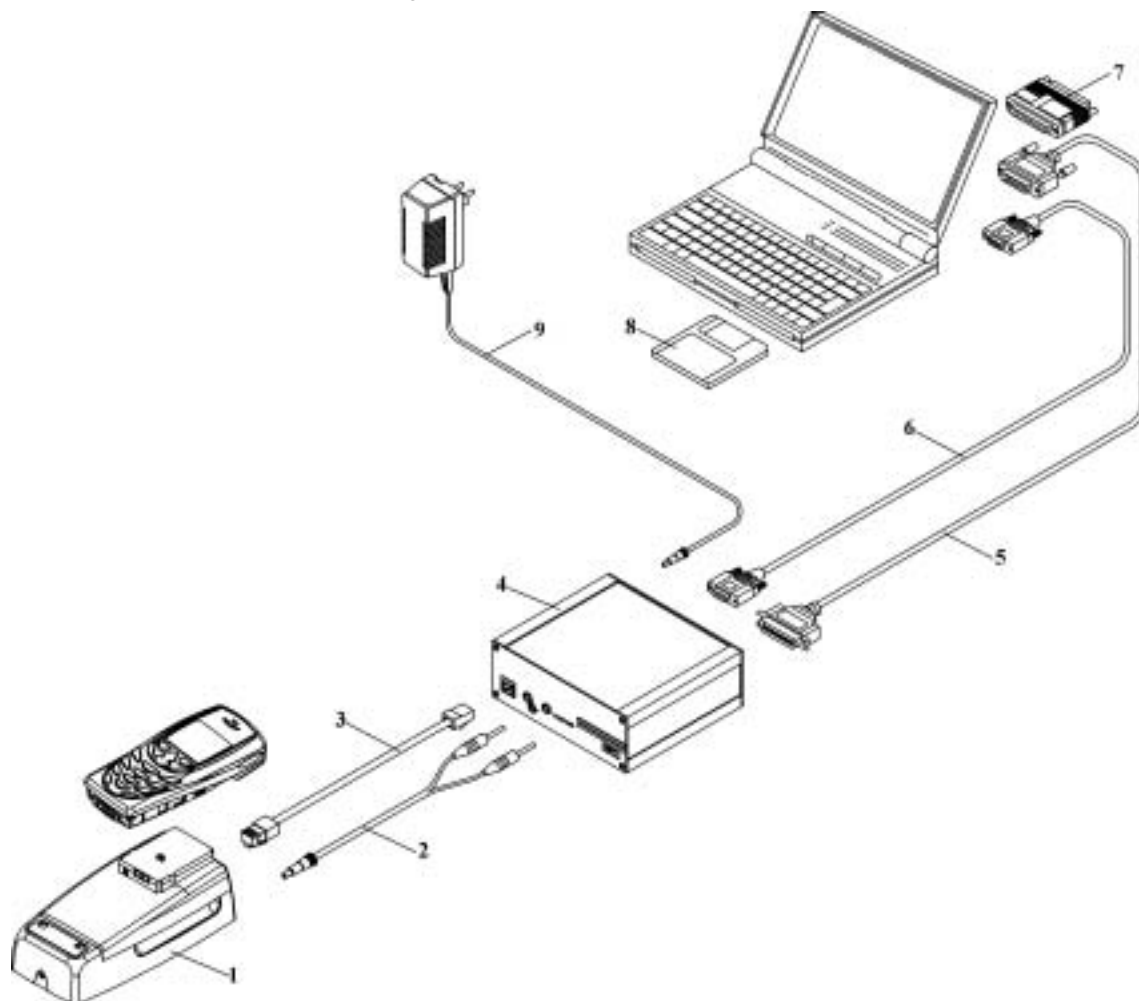


Table 6: JBV-1 Flash Concept

ITEM	NAME	TYPE	CODE
1	Docking station	JBV-1	0770298
2	DC power cable	PCS-1	0730012
3	Modular cable	XCS-8	0730178
4	Flash programmer box	FPS-8	0080321
5	Printer cable, incl. in FPS-8 sales package		073F000
6	D9 - D9 cable, incl. in FPS-8 sales package	AXS-4	0730090
7	Software protection key	PKD-1	0750018
8	Phoenix Service Software		8406941
	NSB-8 Flash SW data		
9	AC charger, incl. in FPS-8 sales package		0680032

## Jig Concept

Figure 3: Jig Concept

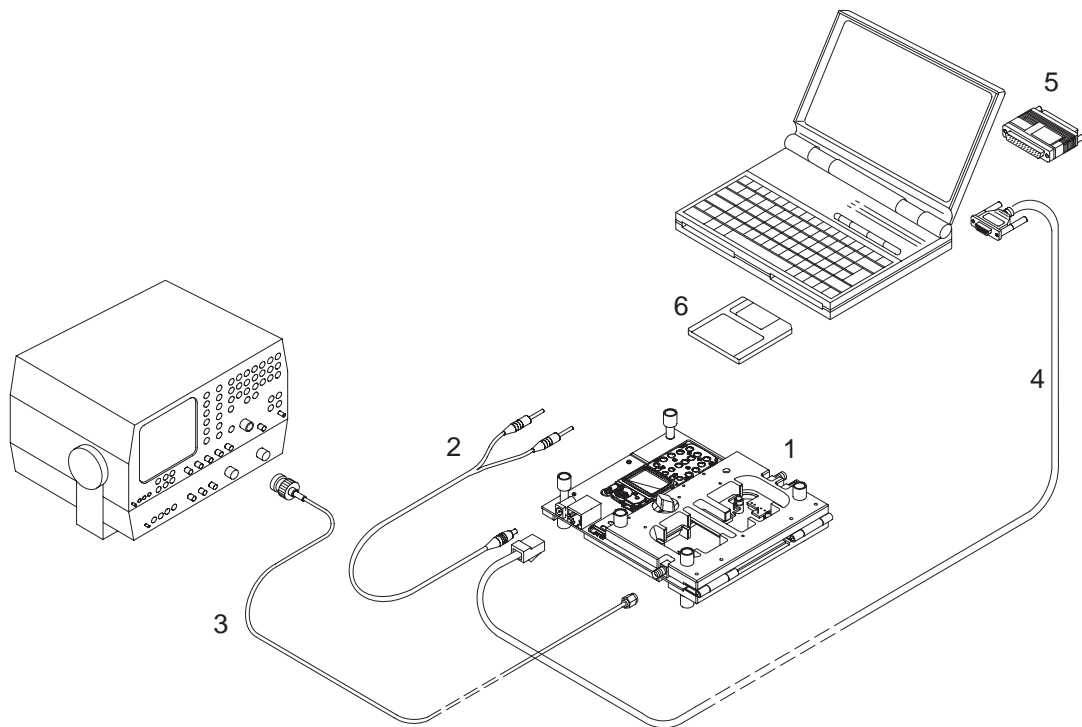


Table 7: Jig Concept

ITEM	NAME	TYPE	CODE
1	Module jig	MJS-46	0770316
2	DC Power Cable	PCS-1	0730012
3	RF antenna cable	XRF-1	0730085
4	Service MBUS cable	DAU-9S	0730108
5	Software protection key	PKD-1	0750018
6	Phoenix Service Software		8406941
	NSB-8 Flash SW data		

### CLP-6 Service Concept

Figure 4: CLP-6 Service Concept

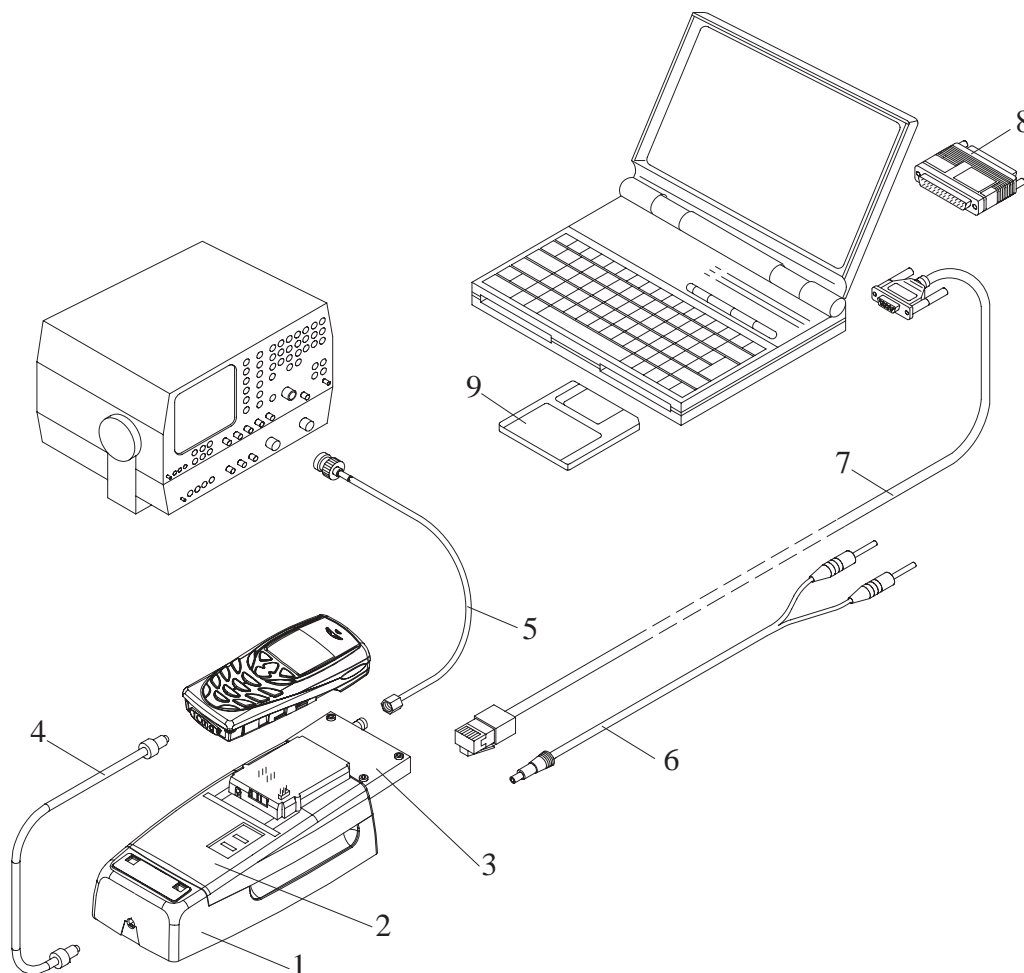


Table 8: CLP-6 Service Concept

ITEM	NAME	TYPE	CODE
1	Docking station	JBV-1	0770298
2	Docking station adapter	MJF-6	0770317
3	Coupler	CLP-6	0775308
4	DC-DC cable	SCB-3	0730114
5	RF antenna cable	XRF-1	0730085
6	DC power cable	PCS-1	0730012
7	Service MBUS cable	DAU-9S	0730108
8	Software protection key	PKD-1	0750018
9	Phoenix Service Software		8406941
	NSB-8 Flash SW data		

## Parallel Flash Concept

Figure 5: Parallel Flash Concept

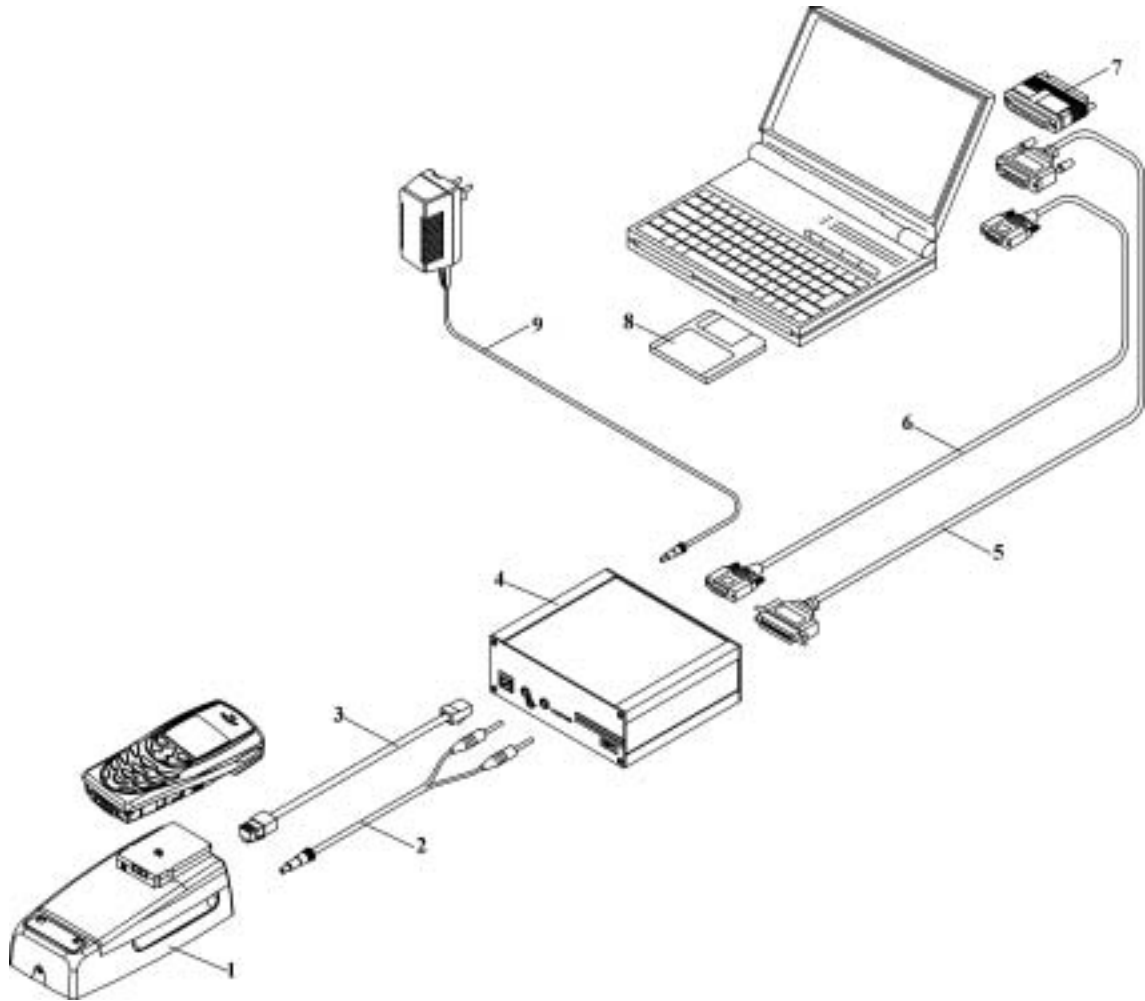


Table 9: Parallel Flash Concept

ITEM	NAME	TYPE	CODE
1	Docking station adapter	MJF-6	0770317
2	Docking station	JBV-1	0770298
3	Modular cable	XCS-8	0730178
4	DC power cable	PCS-1	0730012
7	D9 - D9 cable, incl. in FPS-8 sales package	AXS-4	0730090
8	Printer cable, incl. in FPS-8 sales package		073F000
10	Software protection key	PKD-1	0750018
11	Phoenix Service Software		8406941
	NSB-8 Flash SW data		
17	Parallel flash prommer	FPS-8C	0080396